



MAYTAG *Performa* **USER'S GUIDE**

Congratulations on your purchase of a Maytag Performa™ dryer! Your satisfaction is very important to us.

Read this manual for best results. It contains instructions to acquaint you with proper operating instructions and maintenance.

Save time and money. If something should go wrong, we suggest consulting the "Before You Call" section. It is designed to help you solve basic problems before consulting a service technician.

If you have questions, write us (include your model number and phone number) or call:

Maytag Appliances Sales Company
 Attn: CAIR® Center
 P.O. Box 2370
 Cleveland, TN 37320-2370
 1-800-688-9900 USA
 1-800-688-2002 CANADA
 1-800-688-2080 USA TTY (for deaf, hearing impaired, or speech impaired)
 (Mon.–Fri., 8am–8pm Eastern Time)
 Internet: <http://www.maytag.com>

Table of Contents

Safety Instructions 1-2
Controls at a Glance 3-4
Operating Tips 5
Care and Cleaning 5
Dryer Exhaust Tips 6
Drying Rack (select models) 7
Before You Call. 7
Warranty. 8
Guide de L' Utilisateur 10
Guía Del Usuario 19

Important Safety Instructions

⚠ WARNING: To reduce the risk of fire, explosion, electric shock, or personal injury when using your dryer follow basic safety precautions, including the following:

⚠ WARNING: For your safety, the information in this manual must be followed to minimize the risk of fire or explosion or to prevent property damage, personal injury or death.

- Do not store or use gasoline or other flammable vapors and liquids in the vicinity of this or any other appliance.

WHAT TO DO IF YOU SMELL GAS

- Do not try to light any appliance.
- Do not touch any electrical switch.
- Do not use any phone in your building.
- Clear the room, building or area of all occupants.
- Immediately call your gas supplier from a neighbors phone. Follow the gas supplier's instructions.
- If you cannot reach your gas supplier, call the fire department.

Installation and service must be performed by a qualified installer, service agency or the gas supplier.

⚠ WARNING

Because gas may escape from your system which may not be detected by smell alone, resulting in a potentially extremely dangerous situation, it is recommended by gas suppliers that you purchase and install a UL-approved gas detector(s) in your home. Your local gas supplier can assist you in obtaining a gas detector. Please install, maintain and use the gas detector in accordance with the gas detector manufacturer's instructions.

1. Read all instructions before using the dryer. Retain all instructions for future reference.
2. Properly install and locate in accordance with the Installation Instructions.

Install or store dryer where it will NOT be exposed to the weather.

Connect to a properly rated, protected, and sized power supply circuit. See Electrical Requirements.

Have a qualified service technician install your dryer.

The dryer must be properly grounded – see Installation Instructions.

Should anyone get an electric shock from the dryer, disconnect electrical power. DO NOT operate until it has been repaired by a qualified service technician.

3. To prevent injury to children:
Do not allow children to play inside, on, or with the dryer.
Close supervision of children is necessary when using the dryer.
When children are mature enough, instruct them in the safe, correct use of the dryer.
Destroy the carton and plastic bags after unpacking the dryer.
Remove the door to the drying compartment before the dryer is removed from service or discarded.
4. Do NOT tamper with the operating controls.
5. Do not reach into the dryer if the drum is moving. If the drum does not stop moving when the door is opened, disconnect the electrical power to the dryer. Do not operate the dryer until it has been repaired by a qualified service technician.
6. To prevent personal injury and damage to the dryer, do not repair or replace any part of the dryer or attempt any servicing. Servicing should be referred to a qualified service technician.
7. Keep pets away from dryer, and keep the dryer door closed at all times except while loading or unloading. Pets may enter the dryer unnoticed when the door is open and become entrapped when the door is closed.
8. Lifetime lubrication is done at the factory, so the dryer never needs to be oiled or greased.
9. Do NOT use fabric softeners or products to eliminate static (unless recommended for use in clothes dryers by the manufacturer of the fabric softener or product).
10. Do NOT dry fiberglass articles unless recommended by the manufacturer.

SAVE THESE INSTRUCTIONS

⚠ WARNING: FIRE HAZARD

Dry only articles which have been washed in water. Articles which have been cleaned, washed, soaked, or spotted with gasoline, dry-cleaning solvents, oil, waxes, chemical solvents, alcohol, turpentine, or other flammable or explosive materials will retain these substances. Do not dry articles which still contain these flammable or explosive substances as they give off vapors that could ignite or explode.

Do not use heat to dry articles containing foam rubber, plastics, or similarly textured rubberlike materials.

Keep area around and underneath dryer free from the accumulation of combustible materials, such as lint, paper, rags, gasoline, and all other flammable vapors and liquids.

Do not allow the storage of any material to obstruct the ventilation air openings of the dryer.

To prevent extended drying time and risk of fire, clean the lint screen after each load.

The interior of the machine and exhaust duct should be cleaned periodically by a qualified service technician.

The exhaust system should be periodically examined for damage to the exhaust duct and for free operation of the exhaust deflector. Keep the area around the exhaust opening and surrounding areas free from the accumulation of lint, dust and dirt.

Recent studies have shown that if vegetable oil contaminated materials are incompletely washed, a carry-over and buildup of the oil may contribute to a chemical reaction (spontaneous combustion) that could cause a load to catch fire by itself. This would be more likely to happen if the load were left in the dryer after tumbling stopped or if items were folded and stacked while warm.

For Gas Dryers

Gas dryers are equipped to operate on natural gas only. To convert a gas dryer for other gases, the services of a qualified service technician must be obtained.

Important Safety Notice & Warning

The California Safe Drinking Water and Toxic Enforcement Act of 1986 (Proposition 65) requires the Governor of California to publish a list of substances known to the State of California to cause cancer or reproductive harm, and requires businesses to warn customers of potential exposures to such substances.

Users of this appliance are hereby warned that the burning of gas can result in low-level exposure to some of the listed substances, including benzene, formaldehyde, and soot, due primarily to the incomplete combustion of natural gas or liquid petroleum (LP) fuels. Exhaust ducts should be kept free of obstructions and properly exhausted dryers will minimize exposure.

IMPORTANT: Because of continuing product improvements, Maytag reserves the right to change specifications without notice. For complete details, see the Installation Instructions packed with your product before selecting cabinetry, making cutouts or beginning installation.

What you need to know about safety instructions

Warning and Important Safety Instructions appearing in this manual are not meant to cover all possible conditions and situations that may occur. Common sense, caution, and care must be exercised when installing, maintaining or operating appliance.

Always contact your dealer, distributor, service agent, or manufacturer about problems or conditions you do not understand.

Recognize safety symbols, words, labels

⚠ WARNING

WARNING – Hazards or unsafe practices which **COULD** result in severe personal injury or death.

⚠ CAUTION

CAUTION – Hazards or unsafe practices which **COULD** result in minor personal injury.

SAVE THESE INSTRUCTIONS

Controls at a Glance

Step 1

Select Temperature

In order to select the correct temperature, turn the temperature control to one of four choices; Regular, Medium (select models), Low or Air Fluff.

DRYER TEMPS

LOAD TYPE

DRYER TEMPS	LOAD TYPE
Regular	Sturdy cottons or labels marked "Tumble Dry."
Medium (Select Models)	For wrinkle free/permanent press synthetics, lightweight cottons labeled "Tumble Dry Medium."
Low	For heat sensitive items labeled "Tumble Dry Low" or "Tumble Dry Medium."
Air Fluff	Items which need freshening. Load tumbles with room temperature air.

Step 2

Select Options

Extended Wrinkle Out (Optional on Select Models)

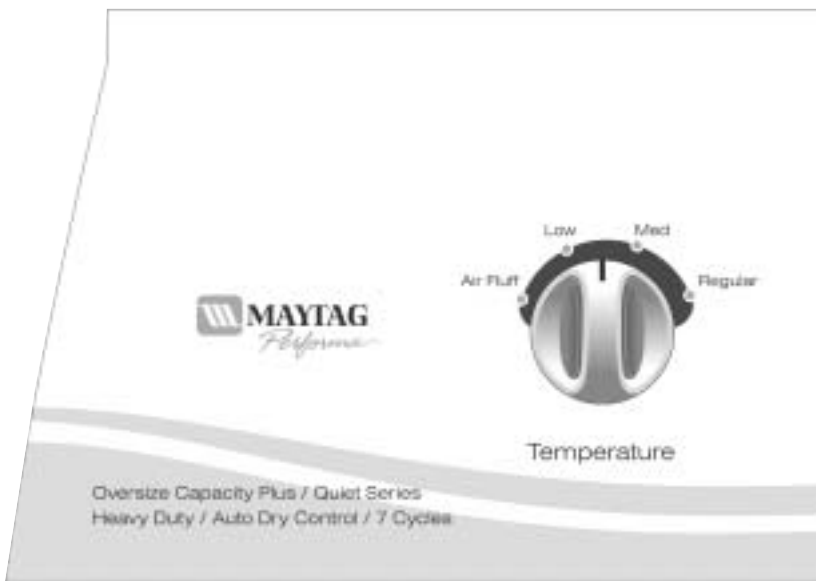
Wrinkle Out is provided to minimize wrinkles in the Auto Dry Wrinkle Free Fabrics cycle. This feature provides an extra 30-60 minutes of unheated tumble action at the end of the cycle depending on model. Clothes can be removed any time during this portion of the cycle.

On dryer models with optional **EXTENDED WRINKLE OUT**, the additional 60 minutes of unheated tumbling can be cancelled by turning the selector knob to OFF.

End of Cycle Signal

When the cycle is complete, a signal will sound several times. On select models, the End of Cycle Signal volume is adjustable. To adjust the volume, select any setting between Off and Loud.

Remove load immediately to reduce wrinkling.



Step 3

Select Cycle

To select a cycle, rotate the control dial to the desired setting. When using an Auto Dry cycle, the control dial should point between "More Dry" and "Less Dry" for most loads.

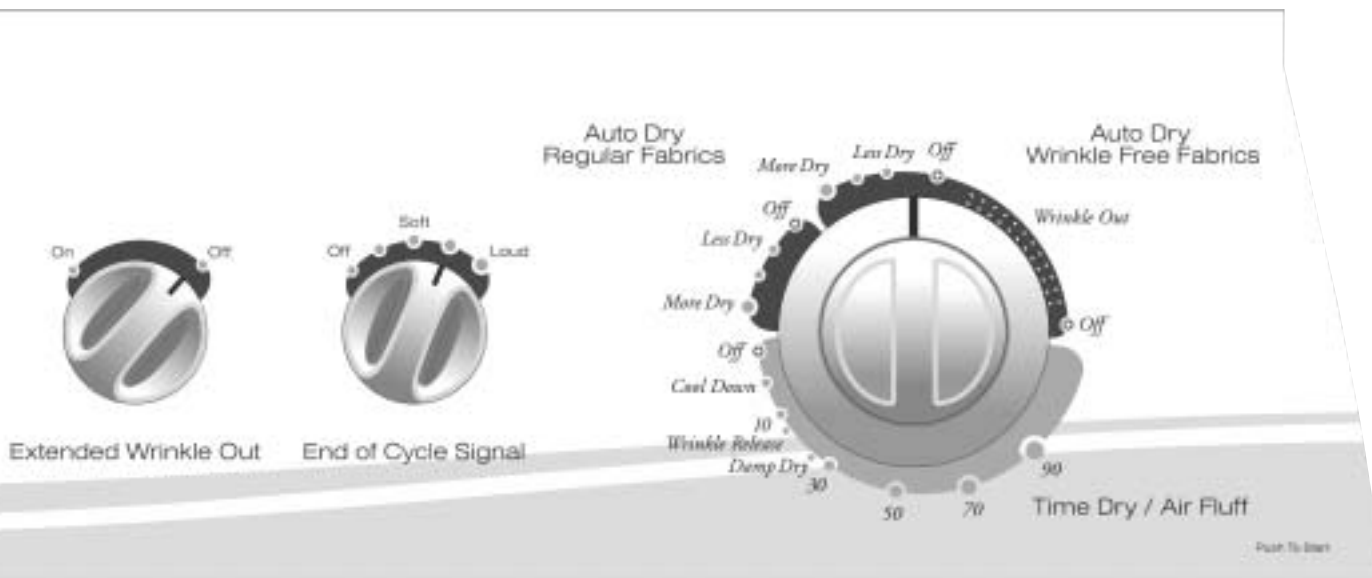
Loads of larger or bulkier size may require the "More Dry" setting to completely dry the load. The "Less Dry" setting is best suited for lightweight fabrics or for leaving some moisture in the clothing at the end of the cycle.

Auto Dry Regular Fabrics

The Auto Dry Regular Fabrics cycle is designed to dry most cottons and linens. At the end of the cycle, the clothes are cooled to reduce wrinkling for approximately 10 minutes.

Auto Dry Wrinkle Free Fabrics

The Auto Dry Wrinkle Free Fabrics cycle is designed to dry wrinkle free cottons, synthetic fabrics, double knits and permanent press fabrics automatically. At the end of the cycle, the clothes are cooled for approximately 20



Cycles and options may vary by model.

minutes to reduce wrinkling. If the load is not removed from the dryer, the cycle will advance to **WRINKLE OUT** which provides additional unheated tumbling time. **WRINKLE OUT** is optional on select models. (See Step 2).

Time Dry/Air Fluff

This cycle can be used to regulate the drying time. Use with Air Fluff, Low, Medium (select models) or Regular temperature settings. For timed drying, turn the control dial clockwise until the pointer points to the proper time setting in the Time Dry / Air Fluff cycle.

Note: Using the Air Fluff temperature setting will require a longer drying time.

Special Options

Damp Dry is located on the Time Dry / Air Fluff section of the dial. It is designed to partially dry items and can be used with any temperature selection. **Damp Dry** will provide 20 minutes of tumbling time, followed by 5 minutes of cool-down tumbling.

Wrinkle Release will release wrinkles from items that are clean and dry but only slightly wrinkled, such as from a crowded closet or suitcase, or from sitting in the dryer too long after the cycle has ended. **Wrinkle Release** provides 10 minutes of tumbling followed by five minutes of cool-down tumbling and can be used with any temperature selection.

Step 4 Push the Control Dial in to Start

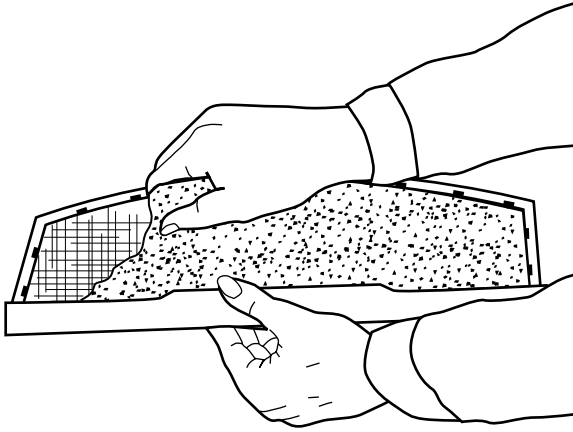
Push the control dial in to start the dryer. The dryer door must be closed for the dryer to start.

Note: The dial can be turned in either direction to select a cycle. Once started, the dial will not advance at a specific rate during the Auto Dry cycles. At first the dial may not advance at all. Toward the end of the cycle (when the load begins to dry), the dial will advance at a more regular rate and much more quickly. This is normal operation.

Operating Tips

Clean the Lint Filter

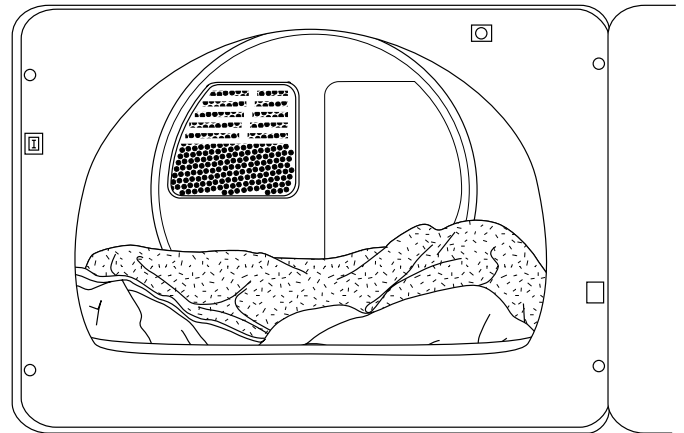
- After each load.
- To shorten drying time.
- To operate more energy efficiently.



Note: Do not operate the dryer without the lint filter in place.

Load the Dryer Properly

- Place only one washload in the dryer at a time.
- Mixed loads of heavy and lightweight clothes will dry differently. Lightweight clothes will dry, while heavy clothes may be damp.
- Add one or more similar items to the dryer when only one or two articles need drying. This improves the tumbling action and drying efficiency.
- Overloading restricts tumbling action, resulting in uneven drying as well as excessive wrinkling of some fabrics.



Care & Cleaning

Control Panel

Clean with a soft, damp cloth. Do not use abrasive substances.

Tumbler

Remove any stains (such as crayon, ink pen or fabric dye) with soap and water. Then tumble clean old towels or rags to remove any excess stain.

Cabinet

Wipe off any marks with soap and water. Use an appliance wax once a year if desired.

Dryer Exhaust System

Inspect and clean once a year to maintain optimum performance. The outside exhaust hood should be cleaned more frequently to ensure proper operation. (Refer to the Installation Instructions for more information.)

Replacing the Drum Light (Select Models)

- 1) Unplug or disconnect the dryer from the power supply.
- 2) Lift top of dryer by inserting a putty knife under top, 4" in from each side.
- 3) Rotate bulb holder to vertical position before removing bulb.
- 4) Push bulb down and rotate counterclockwise to remove.
- 5) Replace with a 25 watt, 115/125 volt twist lock utility light Part No. 53-0570 or equivalent. Place bulb in socket, push down and rotate clockwise.
- 6) Rotate bulb holder to horizontal position.
- 7) Place top of dryer back in original position. Make sure metal tabs hold top in place.
- 8) Reconnect dryer to power supply.

Dryer Exhaust Tips

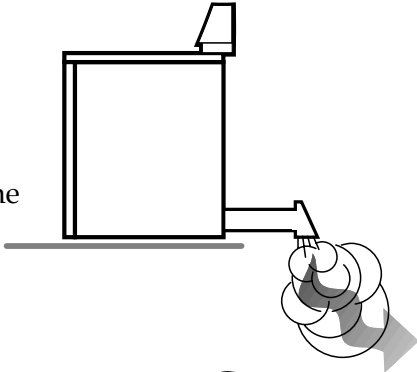
⚠ WARNING — Plastic or nonmetal flexible duct presents a potential fire hazard.

Do

Read the installation instructions and the user's guide.

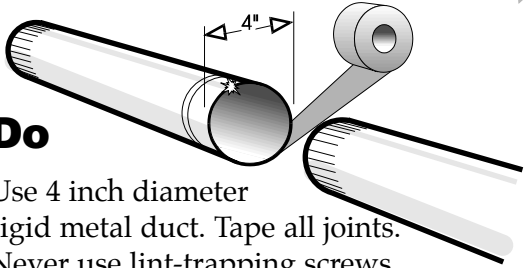
Do

Let your dryer exhaust the air easily.



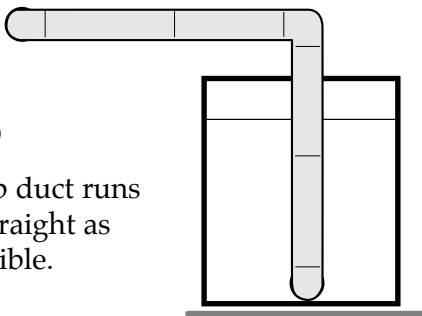
Do

Use 4 inch diameter rigid metal duct. Tape all joints. Never use lint-trapping screws.



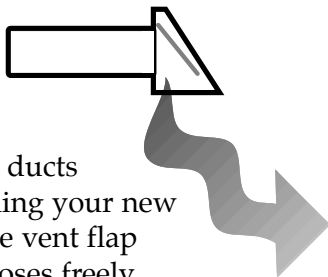
Do

Keep duct runs as straight as possible.



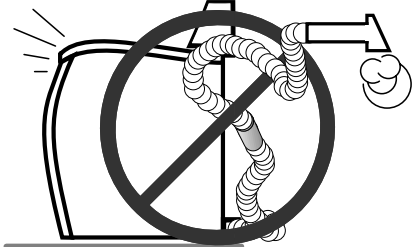
Do

Clean all old ducts before installing your new dryer. Be sure vent flap opens and closes freely.



Don't

Let a poor exhaust system cause slow drying.

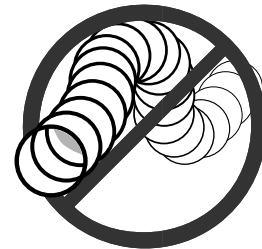


Don't

Restrict your dryer with a poor exhaust system.

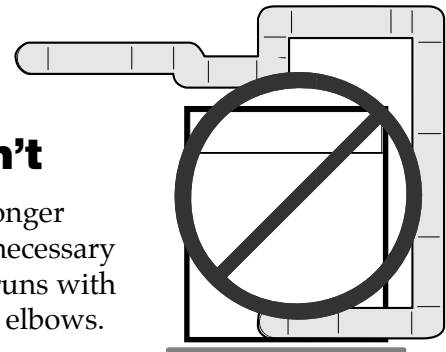
Don't

Use plastic, thin foil, or non-metal flexible duct.



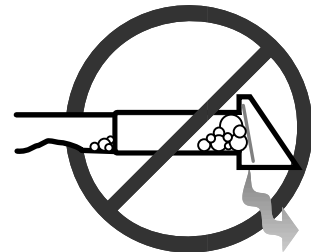
Don't

Use longer than necessary duct runs with many elbows.



Don't

Allow crushed or clogged ducts and vent.



Drying Rack *(select models)*

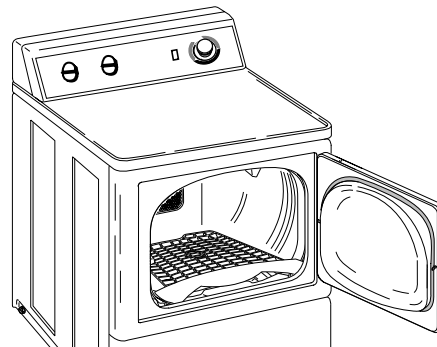
For boots, sneakers, fragile sweaters, afghans, nylon stockings – any items that might be damaged by tumbling – use the removable drying rack.

To use the rack:

- 1) Position L-shaped legs against round inset at back of dryer.
- 2) Rest the two front legs on either side of the lint screen.
- 3) Check to see that the rack is securely in position.
- 4) Place items to be dried on top of the rack. Allow space for air to circulate. Items should not hang over the edge, between the supports, or touch any other part of dryer. NOTE: The rack does not move, but the drum rotates around the rack.
- 5) Close dryer door.
- 6) Use TIMED DRY CYCLE. Select temperature regular, medium, low or air fluff, depending on the item.

- 7) Some items may need to be rotated from front to back or refolded to dry inner layers – check periodically.
- 8) To remove rack, simply grasp sides with hands and lift out.

Note: Do not place hands in dryer while drum is rotating.



Before You Call

Check the following if your clothes dryer...

Doesn't Run

- Be sure the door is shut.
- Is the electrical cord plugged in?
- Has a fuse blown or the circuit breaker tripped?
- Push the Control dial in again if the door was opened during the cycle.

Doesn't Heat

- Has a fuse blown or the circuit breaker tripped?
- Select a heat setting, not air fluff.
- Check that the gas supply is on for gas dryers.

Doesn't Dry Properly

- Check all of the above, plus . . .
- Check the exhaust hood outside the house, does it open and close freely?
- Clean the lint filter and exhaust duct.
- Use rigid 4" metal exhaust duct.
- Do not overload. 1 wash load = 1 dryer load.
- Sort heavy items from lightweight items.
- Check the washer to be sure it is draining properly to extract water from the load.
- Clothes load is too small to tumble properly. Add a few towels.

Is Noisy

- Check the load for objects such as coins, nails, etc. Remove promptly from dryer.
- The dryer should be level and installed on a solid floor.

Control Knob Advances Slowly

- This is normal operation for an Auto Dry cycle, especially at the beginning of cycle. Once the load begins to dry, the control knob will start to advance. The rate of advancement will be slow at the beginning of the cycle because there is more moisture in the load. As the load becomes more dry, the control knob will advance more quickly.

Maytag Performa™ Clothes Dryer Warranty

FULL ONE-YEAR WARRANTY

Any part which fails in normal home use during the first year after the date of original retail purchase will be repaired or replaced free of charge.

This full warranty applies when the appliance is located in the United States or Canada. Appliances located elsewhere are warranted as follows: For one year after the date of original retail purchase any part which fails in normal home use will be repaired or provided free of charge for the part itself with the owner paying all other costs, including labor, mileage, and transportation.

This warranty gives you specific legal rights, and you may also have other rights that vary from state to state.

TO OBTAIN WARRANTY SERVICE

To locate an authorized service company in your area contact the Maytag dealer from whom your appliance was purchased; or call Maytag Appliances Sales Company, Maytag Customer Assistance. Should you not receive satisfactory warranty service, please call or write:

Maytag Appliances Sales Company
Attn: CAIR® Center
P.O. Box 2370
Cleveland, TN 37320-2370

U.S. 1-800-688-9900

Canada 1-800-688-2002

U.S. Customers using TTY for deaf, hearing impaired or speech impaired, call 1-800-688-2080.

When contacting Maytag Appliances Sales Company, Maytag Customer Assistance about a service problem, please include the following:

- (a) Your name, address and telephone number;
- (b) Model number and serial number (found on the front panel of the door opening) of your appliance;
- (c) Name and address of your dealer and the date the appliance was purchased;
- (d) A clear description of the problem you are having.
- (e) Proof of purchase.

What is not covered by these warranties:

1. Conditions and damages resulting from any of the following:
 - a. Improper installation, delivery, or maintenance.
 - b. Any repair, modification, alteration or adjustment not authorized by the manufacturer or an authorized servicer.
 - c. Misuse, abuse, accidents, or unreasonable use.
 - d. Incorrect electric current, voltage or supply.
 - e. Improper setting of any control.
2. Warranties are void if the original serial numbers have been removed, altered, or cannot be readily determined.
3. Light bulbs.
4. Products purchased for commercial or industrial use.
5. The cost of service or service call to:
 - a. Correct installation errors.
 - b. Instruct the user on proper use of the product.
 - c. Transport the appliance to the servicer.
6. Consequential or incidental damages sustained by any person as a result of any breach of these warranties.

Some states do not allow the exclusion or limitation of consequential or incidental damages, so the above exclusion may not apply.

User's Guides, service manuals and parts catalogs are available from Maytag Appliances Sales Company, Maytag Customer Assistance.

**For further assistance contact Maytag Appliances Sales Company, Maytag Customer Assistance:
U.S. 1-800-688-9900 or Canada 1-800-688-2002**

U.S. customers using TTY for deaf, hearing impaired or speech impaired, call 1-800-688-2080.



MAYTAG • 403 W. 4th Street N. • P.O. Box 39 • Newton, Iowa 50208

MAYTAG ONLINE <http://www.maytag.com>



GUIDE DE L'UTILISATEUR

Toutes nos félicitations pour avoir choisi une sécheuse Maytag Performa™ ! Il est très important pour nous que vous en soyez satisfait.

Pour de meilleurs résultats, nous vous conseillons de lire ce manuel. Vous y trouverez des renseignements qui vous aideront à comprendre les procédures de fonctionnement et d'entretien de la machine.

Épargnez temps et argent. En cas de problème, nous vous suggérons de consulter la section "Avant d'appeler". Elle a été rédigée pour vous aider à trouver une solution aux problèmes mineurs avant d'appeler un technicien.

Si vous avez des questions, veuillez nous écrire (en incluant le numéro de modèle de votre machine et votre numéro de téléphone) ou appelez-nous :

Maytag Appliances Sales Company
Attn: CAIR® Center
P.O. Box 2370
Cleveland, TN 37320 États-Unis
1-800-688-2002 CANADA
(Du lundi au vendredi, 8 h à 8 h, heure de l'est)
Internet : <http://www.maytag.com>

Table des matières

Mesures de sécurité	11-12
Commandes en un coup d'oeil . . .	13-14
Fonctionnement	15
Nettoyage et entretien	15
Évacuation	16
Étendoir (modèles sélectionnés)	17
Avant d'appeler	17
Garantie de la sécheuse	18
Guía Del Usuario	19

Mesures de sécurité importantes

⚠ AVERTISSEMENT : Pour réduire les risques d'incendie, d'explosion, d'électrocution ou des blessures lors de l'utilisation de cet appareil, suivre les précautions d'usage, dont les suivantes :

⚠ AVERTISSEMENT : Pour votre sécurité, suivre les instructions données dans ce manuel afin de réduire les risques d'incendie ou d'explosion et d'éviter dommages matériels, blessures et décès.

• **Ne pas entreposer ni utiliser d'essence ou autres produits et vapeurs inflammables à proximité de cet appareil ou de tout autre appareil ménager.**

- QUE FAIRE S'IL Y A UNE ODEUR DE GAZ :

- **N'allumer aucun appareil.**
- **N'actionner aucun commutateur électrique**
- **Ne pas utiliser le téléphone dans votre maison ou dans votre immeuble.**
- **Faire sortir tous les occupants de la pièce, du logement ou immeuble ou de la vicinity.**
- **Appeler immédiatement la compagnie de gaz en utilisant le téléphone d'un voisin. Suivre les instructions de la compagnie de gaz.**
- **En cas d'impossibilité de joindre la compagnie de gaz, appeler les pompiers.**

L'installation et toutes les réparations doivent être effectuées par un technicien qualifié, un prestataire de services ou la compagnie de gaz.

⚠ AVERTISSEMENT

Parce que du gaz peut s'échapper du système sans qu'il soit décelé par l'odeur uniquement, en entraînant une situation potentielle extrêmement dangereuse, il est recommandé par les fournisseurs de gaz que vous achetez et installez un (des) détecteur(s) de gaz approuvé(s) (UL) dans votre maison. Votre fournisseur de gaz peut vous aider à acquérir un détecteur de gaz. Veuillez installer, entretenir et utiliser le détecteur de gaz conformément aux instructions données par le fabricant du détecteur de gaz.

1. Lire attentivement toutes les instructions avant d'utiliser la sècheuse. Conserver les instructions pour référence ultérieure.
2. Bien installer conformément aux instructions d'installation.
Installer ou entreposer la sècheuse dans un endroit où elle n'est PAS exposée aux intempéries.
Raccorder à un circuit d'alimentation dont la puissance nominale, la protection et le calibre sont adéquats. Voir la section « Normes électriques ».
Faire appel à un technicien qualifié pour l'installation de la sècheuse.
Mettre à la terre de façon adéquate - Voir les instructions d'installation.
En cas d'électrocution, couper le courant. NE PAS faire fonctionner tant qu'un technicien qualifié ne l'a pas réparée.
3. Pour éviter les blessures aux enfants :
Ne pas laisser les enfants jouer sur, dans ou avec la sècheuse.
Une surveillance constante est nécessaire quand la sècheuse est utilisée en présence d'enfants.
Lorsque les enfants sont assez matures, leur expliquer la méthode correcte et sécuritaire d'utilisation de la sècheuse.
Détruire l'emballage en carton et les sacs en plastique après avoir déballé la sècheuse.
Retirer la porte du compartiment de la machine à laver avant de la mettre hors service ou de la jeter.
4. Ne PAS modifier les mécanismes de commande.
5. Ne pas mettre la main ou le bras dans la sècheuse si le tambour est en mouvement. Si le tambour est toujours en marche lorsque le couvercle est ouvert, couper le courant. Ne pas faire fonctionner la machine avant qu'elle n'ait été réparée par un technicien qualifié.
6. Pour éviter les risques de blessures ou de dommages à la sècheuse, ne pas réparer ou remplacer une pièce de la machine ou procéder à un dépannage. Les réparations doivent être effectuées par un technicien qualifié.
7. Garder les animaux domestiques éloignés de la sècheuse, et garder la porte de la sècheuse fermée à tout moment sauf lors du chargement ou déchargement. Les animaux domestiques peuvent pénétrer dans la sècheuse de façon inaperçue et y demeurer emprisonnés lorsque la porte est refermée.
8. La lubrification à vie est effectuée à l'usine. Il n'est donc jamais nécessaire de huiler ou de graisser la sècheuse.
9. Ne PAS utiliser d'assouplissants ni de produits anti-statiques (sauf si le fabricant de l'assouplissant ou du produit le recommande).
10. Ne PAS sécher d'articles en fibre de verre sauf si le fabricant le recommande.

CONSERVER CES INSTRUCTIONS

⚠ AVERTISSEMENT ! RISQUE D'INCENDIE

Sécher uniquement des articles qui ont été lavés dans l'eau.

Les articles qui ont auparavant été nettoyés, lavés, trempés ou détachés à l'aide d'essence, de solvants de nettoyage à sec, d'huiles, de cires, de solvants chimiques, d'alcool, de térébenthine ou d'autres produits explosifs ou inflammables, conserveront ces substances et celles-ci produisent des vapeurs qui peuvent s'enflammer ou exploser.

Ne pas faire fonctionner la chaleur pour sécher les articles contenant du caoutchouc-mousse, du plastique ou tout matériau de texture similaire.

Éviter toute accumulation de matériaux combustibles, tels que la ouate, le papier, les chiffons, l'essence et autres vapeurs et liquides inflammables, sous la sècheuse ou autour de celle-ci.

Ne pas laisser le matériel entreposé obstruer les conduits de ventilation de la sècheuse.

Pour éviter que la sècheuse ne surchauffe et ainsi créer un risque d'incendie, nettoyer le filtre à charpie après chaque séchage.

L'intérieur de la machine et de la gaine d'évacuation doit être nettoyé régulièrement par un technicien qualifié.

Le système d'évacuation doit être inspecté régulièrement pour vérifier si la gaine d'évacuation n'est pas endommagée et si le déflecteur d'évacuation fonctionne librement. Éviter toute accumulation d'ouate, de poussière et de saleté autour de la conduite d'évacuation.

Des études récentes ont démontré que si les substances contaminées d'huile végétale ne sont pas complètement nettoyées, une accumulation d'huile peut provoquer une réaction chimique (combustion spontanée) qui causerait un incendie. Cela peut survenir lorsque les vêtements sont laissés dans la sècheuse après que le tambour ait cessé de tourner ou que les articles sont pliés et empilés avant que la chaleur ne se soit dissipée.

Sécheuses à gaz

Les sècheuses à gaz sont conçues pour fonctionner au gaz naturel seulement. Pour convertir une sècheuse à gaz aux autres gaz, faire appel à un technicien qualifié.

Mesures de sécurité importantes

En application de la loi californienne concernant la salubrité de l'eau et la protection contre les substances chimiques (« California Safe Drinking and Toxic Enforcement Act ») de 1986 (Proposition 65), le gouverneur de Californie est tenu de publier une liste des substances reconnues par l'état de Californie comme étant cancérigènes ou pouvant être cause d'infertilité, et les commerces et industries sont tenus d'avertir les consommateurs des risques potentiels d'exposition à de telles substances.

En conséquence, les utilisateurs de l'appareil sont avertis que la combustion de gaz peut entraîner une faible exposition à certaines des substances nomenclaturées par l'état de Californie, dont le benzène, le formaldéhyde et la suie, principalement en raison d'une combustion incomplète de gaz naturel ou de gaz de pétrole liquéfié (GPL). Les conduits d'évacuation ne doivent pas être obstrués et l'exposition à ces substances peut être réduite en assurant une évacuation d'air adéquate.

IMPORTANT: En raison des améliorations apportées régulièrement à ses produits, Maytag se réserve le droit de modifier les spécifications sans préavis. Pour de plus amples renseignements, consulter les instructions d'installation incluses avec votre appareil avant de choisir des meubles de rangement, de faire du découpage ou de commencer l'installation.

Ce qu'il faut savoir à propos des consignes de sécurité

Les consignes de sécurité et les mises en garde présentées dans ce manuel ne couvrent pas toutes les situations possibles. Faire preuve de jugement, de prudence et d'attention lors de l'installation, de l'entretien et de l'utilisation du propriétaire.

Lorsque survient un problème ou une situation inhabituelle, toujours communiquer avec le détaillant, le distributeur, le technicien agréé ou le fabricant.

Reconnaissez les étiquettes, phrases ou symboles sur la sécurité

⚠ AVERTISSEMENT

AVERTISSEMENT – Risques ou pratiques non sûres, qui POURRAIENT résulter en de graves blessures ou même la mort.

⚠ ATTENTION

ATTENTION – Risques ou pratiques non sûres qui POURRAIENT résulter en blessures mineures.

Commandes en un coup d'oeil

Étape 1

Sélectionner la température

Afin de sélectionner la température adéquate, tourner le sélecteur de température à l'une des trois positions suivantes : « Regular » (ordinaire), « Medium » (moyen) « (modèles sélectionnés) Low » (doux) ou « Air Fluff » (gonflant).

TEMP	TYPE DE LINGE
Regular Ordinaire	Coton résistant ou étiquettes marquées « Séchable en sècheuse »
Medium Moyen (modèles sélectionnés)	Pour les tissus synthétiques infroissables/à pli permanent, les cotons légers dont l'étiquette indique « sécher en sècheuse à température moyenne ».
Low Doux	Pour les articles qui ne supportent pas la chaleur dont l'étiquette indique «Sécher en sècheuse à température douce» ou «Sécher en sècheuse à température tiède».
Air Fluff Gonflant	Articles devant être rafraîchis. Le linge sèche à la température ambiante.

Étape 2

Sélectionner les options

Extended Wrinkle Out (défroissement prolongé) (option sur des modèles sélectionnés)

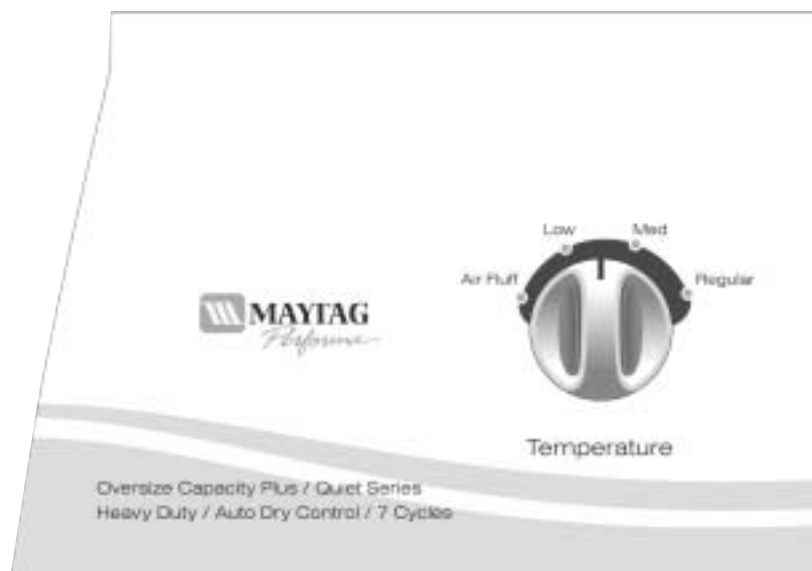
Cette option permet de réduire le froissement au minimum lorsque le cycle « Auto Dry Wrinkle Free Fabrics » est sélectionné. Le linge continue à culbuter à froid pendant 30 à 60 minutes, en fonction du modèle, à la fin du cycle. On peut enlever le linge à tout moment de cette portion du cycle.

Sur les sècheuses dotées de l'option « Extended Wrinkle Out » (défroissement prolongé), il est possible d'annuler les 60 minutes supplémentaires de culbutage à froid en mettant le sélecteur sur OFF (arrêt).

End of Cycle Signal (Signal de fin de cycle)

Une fois le cycle terminé, la sècheuse produit un signal sonore à plusieurs reprises. Sur certains modèles sélectionnés, le volume de ce signal sonore est réglable. Pour régler le volume, sélectionner un réglage entre OFF (arrêt) et LOUD (volume puissant).

Enlever le linge immédiatement pour réduire le froissement.



Étape 3

Sélectionner un cycle

Pour sélectionner un cycle, tourner le sélecteur au réglage désiré. L'utilisation d'un cycle de séchage automatique signifie que le sélecteur doit pointer entre « More Dry » (plus sec) et « Less Dry » (moins sec) pour la plupart des charges.

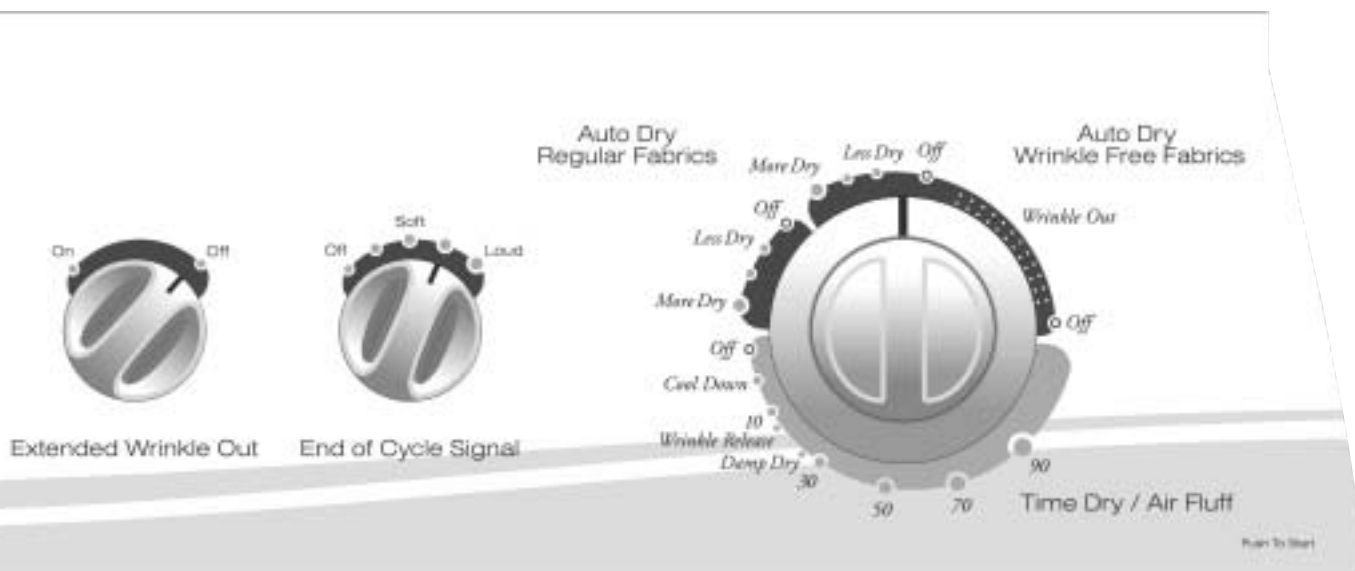
Les plus grosses charges nécessitent parfois le réglage « More Dry » pour sécher complètement. Il est préférable de sécher le linge au réglage « Less Dry » lorsque les tissus sont plus légers ou que le linge doit rester légèrement humide à la fin du cycle.

Auto Dry Regular Fabrics (séchage automatique des tissus ordinaires)

Le cycle de séchage automatique ordinaire est conçu pour sécher la plupart des articles en coton et le linge. À la fin du cycle, les vêtements refroidissent pendant environ 10 minutes pour réduire les plis.

Auto Dry Wrinkle Free Fabrics (séchage automatique, coton infroissable)

Ce cycle est conçu pour le séchage du coton infroissable, des tissus synthétiques, du jersey et des tissus à pli permanent. À la fin du cycle, le linge est refroidi pendant environ 20 minutes pour réduire le froissement. Si le linge n'est pas enlevé de la sècheuse, le cycle passe à l'option « Wrinkle Out »



Cycles et options modal varier par modèles.

(défroissement) pour une période supplémentaire de culbutage à froid. Cette fonction est optionnelle sur des modèles sélectionnés. (Voir étape 2.)

Time Dry/Air Fluff (séchage minuté/gonflant)

Ce cycle peut être utilisé pour minuter le séchage. S'utilise avec les réglages de température « Air Fluff » (gonflant), « Low » (doux), « Medium » (moyen) (modèles sélectionnés) ou « Regular » (normal). Pour un séchage minuté, tourner le sélecteur dans le sens des aiguilles d'une montre jusqu'à ce que la flèche pointe vers la durée de séchage désirée pour le cycle séchage minuté/gonflant.

Remarque : L'utilisation du réglage « Air Fluff » prolonge la durée du séchage.

Options spéciales

« Damp Dry » (séchage partiel) se trouve sur la partie « Time Dry / Air Fluff » du sélecteur. Cette option est conçue pour sécher partiellement le linge et peut s'utiliser avec tous les réglages de température. La sècheuse fonctionne à chaud pendant 20 minutes, puis passe à une période de refroidissement de 5 minutes.

« Wrinkle Release » (défroissement) défroisse les vêtements propres et secs mais légèrement froissés pour être restés dans un placard ou une valise trop pleins, ou encore dans la sècheuse à la fin du cycle. La sècheuse fonctionne à chaud pendant 10 minutes, puis passe à une période de refroidissement de 5 minutes. Cette option peut s'utiliser à tous les réglages de température.

Étape 4

Pousser sur le sélecteur pour mettre en marche

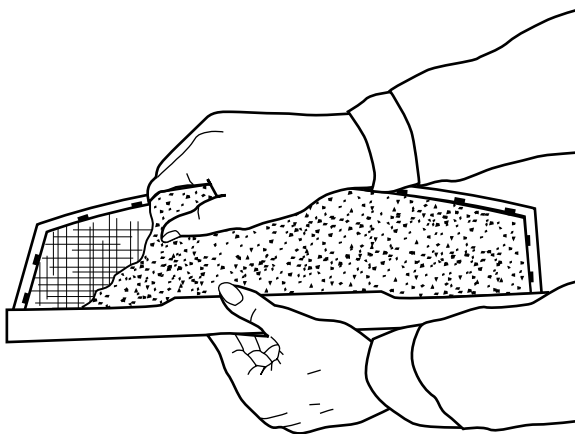
Pousser sur le sélecteur pour mettre la sècheuse en marche. La porte de celle-ci doit d'abord être fermée.

Remarque : Le sélecteur peut être tourné dans l'une ou l'autre direction. Il ne progresse pas à vitesse régulière pendant les cycles de « Auto Dry » (séchage automatique). Au départ, il peut rester immobile sur le même point. Vers la fin du cycle (quand le linge commence à sécher), il progresse à un rythme plus régulier et beaucoup plus rapide. Ceci est normal.

Fonctionnement

Nettoyer le filtre à charpie...

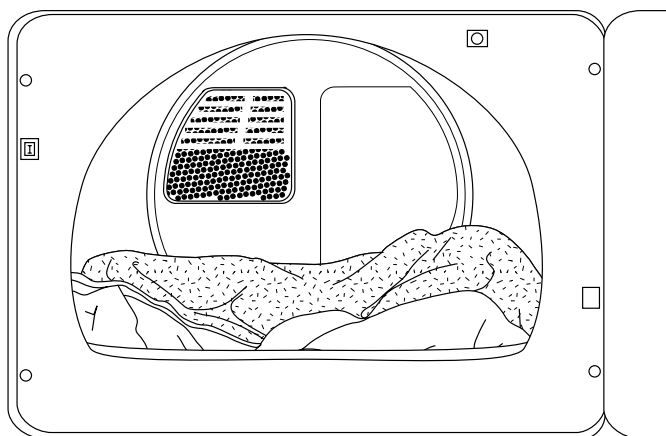
- après chaque utilisation.
- pour réduire le temps de séchage.
- pour un fonctionnement plus économe en énergie.



REMARQUE : Ne pas faire fonctionner la sècheuse sans que le filtre soit en place.

Charger la sècheuse correctement...

- en mettant une seule charge de machine à laver à la fois.
- en évitant les très petites charges ou le mélange de différents types de linge.
- en ajoutant un ou plusieurs articles de même type lorsqu'un ou deux articles seulement doivent être séchés. Le linge «tourne» mieux dans la sècheuse et sèche plus efficacement.
- Toute surcharge nuit au fonctionnement de la sècheuse, ce qui entraîne un séchage inégal, de même qu'un excès de plis dans certains tissus.



Entretien

Tableau de commande

Nettoyer avec un linge doux et humide. Ne pas utiliser de substances abrasives.

Tambour

Enlever toutes taches (crayon de couleur, encre de stylo ou teinture textile) avec un produit nettoyant universel. Faire fonctionner la sècheuse avec une charge de vieux chiffons et serviettes afin qu'ils absorbent tout ce qu'il reste des taches et du produit nettoyant.

Carrosserie

Nettoyer toutes traces de saleté à l'eau et au savon. Si désiré, appliquer de la cire pour appareils ménagers une fois par an.

Système d'évacuation de l'air

Doit être inspecté et nettoyé entièrement une fois par an pour donner des résultats optimaux. La hotte se trouvant à l'extérieur de la résidence doit être nettoyée plus fréquemment pour assurer son bon fonctionnement. (Voir les instructions de mise en service pour plus de renseignements.)

Remplacement de la lumière du tambour

(Modèles Sélectionnés)

- 1) Débrancher la sècheuse ou la couper du secteur.
- 2) Soulever le dessus de la sècheuse en insérant un couteau à mastic dessous à 10 cm (4 po) du côté de chaque côté.
- 3) Faire pivoter le porte-ampoule pour le mettre en position verticale avant d'enlever l'ampoule.
- 4) Pousser sur l'ampoule et la faire tourner dans le sens anti-horaire pour l'enlever.
- 5) Remplacer l'ampoule par une ampoule à appareils électroménagers à visser de 25 W et 115/125 V, référence n° 53-0570, ou une ampoule équivalente. Mettre l'ampoule dans la douille, pousser et tourner dans le sens horaire.
- 6) Faire pivoter le porte-ampoule pour le mettre en position horizontale.
- 7) Remettre le dessus de la sècheuse dans sa position d'origine. Veiller à ce que les languettes métalliques retiennent le dessus en place.
- 8) Rebrancher la sècheuse ou la remettre sur le secteur.

Conseils pour l'évacuation de l'air

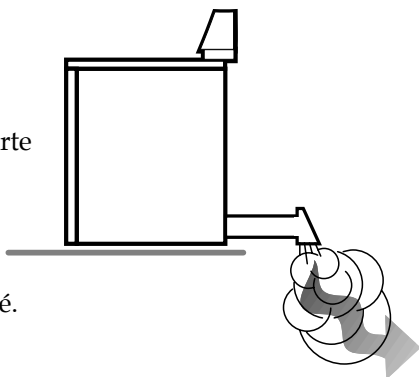
AVERTISSEMENT : Les conduits flexibles en plastique ou non métalliques présentent des risques d'incendie.

Faire

Lire les instructions de mise en service et le guide de l'utilisateur.

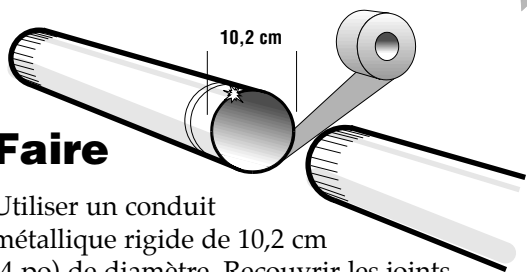
Faire

Faire en sorte que l'air s'évacue de la sècheuse avec facilité.



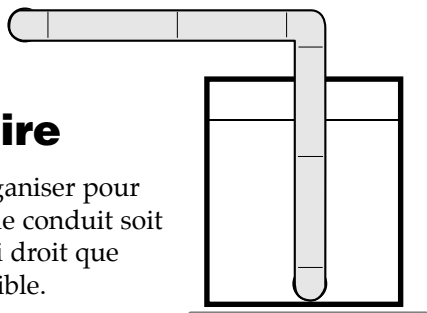
Faire

Utiliser un conduit métallique rigide de 10,2 cm (4 po) de diamètre. Recouvrir les joints de ruban isolant. Ne pas utiliser de vis, qui retiennent la charpie.



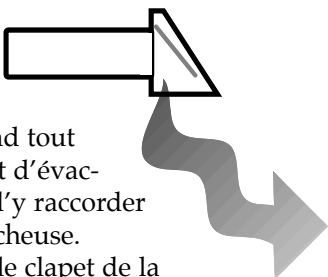
Faire

S'organiser pour que le conduit soit aussi droit que possible.



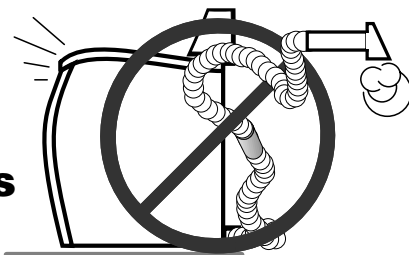
Faire

Nettoyer à fond tout ancien conduit d'évacuation avant d'y raccorder la nouvelle sècheuse. S'assurer que le clapet de la hotte d'évacuation s'ouvre et se ferme librement.



Ne pas faire

Permettre qu'un système d'évacuation inadéquat ralentisse le séchage du linge.

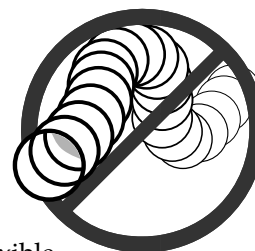


Ne pas faire

Restreindre l'efficacité de la sècheuse avec un système d'évacuation médiocre.

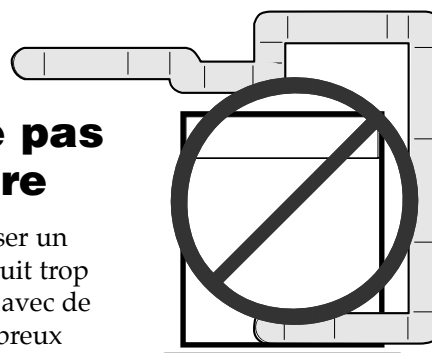
Ne pas faire

Utiliser un conduit en plastique, en aluminium fin ou un conduit flexible non métallique.



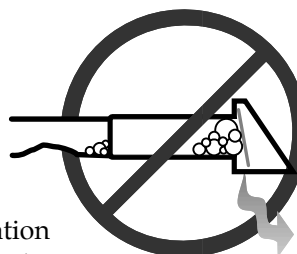
Ne pas faire

Utiliser un conduit trop long avec de nombreux coudes.



Ne pas faire

Utiliser des conduits et un clapet d'évacuation écrasés ou bloqués.



Étendoir (modèles sélectionnés)

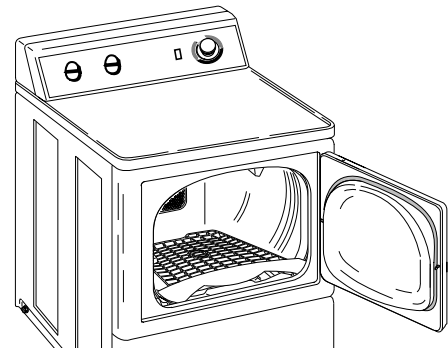
Pour sécher les articles comme les bottillons, les chaussures de tennis, les couvertures en tricot, les bas en nylon, tout article qui pourrait être endommagé par le culbutage, utiliser l'étendoir amovible.

Pour utiliser l'étendoir :

- 1) Positionner les pieds en L contre le retrait arrondi à l'arrière de la sècheuse.
- 2) Faire reposer les deux pieds avant de chaque côté du filtre à charpie.
- 3) Vérifier que l'étendoir est fermement en place.
- 4) Mettre les articles à sécher sur l'étendoir. Laisser suffisamment d'espace pour que l'air circule. Les articles ne doivent pas dépasser du bord de l'étendoir, entre les supports ni toucher toute autre partie de la sècheuse. REMARQUE: L'étendoir ne bouge pas mais le tambour tourne autour.
- 5) Fermer la porte de la sècheuse.
- 6) Utiliser le cycle minuté (TIMED DRY). Sélectionner une température élevée (HIGH), doux (LOW) ou la température ambiante (FLUFF), en fonction de l'article.

- 7) Certains articles peuvent devoir être passés de l'avant vers l'arrière ou pliés différemment pour que les couches intérieures sèchent; vérifier périodiquement.
- 8) Pour retirer l'étendoir, simplement saisir les côtés et soulever.

Remarque : Ne pas mettre les mains ni les bras dans la sècheuse pendant que le tambour tourne.



Avant d'appeler

Vérifier les points suivants si la sècheuse...

Ne se met pas en marche

- S'assurer que la porte est bien fermée.
- La sècheuse est-elle branchée ?
- Un fusible a-t-il sauté ou le disjoncteur est-il enclenché ?
- Pousser de nouveau sur le sélecteur si la porte s'est ouverte durant le cycle.

Ne produit pas de chaleur

- Un fusible a-t-il sauté ou le disjoncteur est-il enclenché ?
- Sélectionner un réglage avec production de chaleur, et non « Fluff ».
- S'il s'agit d'une sècheuse à gaz, vérifier que le robinet d'arrivée de gaz est ouvert.

Sèche de façon inadéquate

- Vérifier ce qui précède, plus...
- Vérifier si la hotte d'évacuation à l'extérieur de la maison s'ouvre et se ferme librement.
- Nettoyer le filtre à charpie et la gaine d'évacuation.
- Utiliser une gaine d'évacuation en métal rigide de 10 cm (4 po).
- Ne pas trop remplir la sècheuse. Une charge de machine à laver correspond à une charge de sècheuse.
- Séparer les tissus épais des tissus légers.
- Vérifier le tuyau d'écoulement de la machine à laver pour s'assurer qu'elle essore correctement le linge.
- La charge est trop petite pour assurer un culbutage correct. Ajouter quelques serviettes.

Est bruyante

- Vérifier qu'il n'y a pas, dans la sècheuse, d'objets tels que pièces, clous, etc. Les enlever immédiatement.
- La machine doit être de niveau et stable.

Le sélecteur avance lentement

- Ceci est normal avec un cycle « Auto Dry » (séchage automatique), surtout au début du cycle. Une fois que le linge commence à sécher, le sélecteur commence à avancer. Il avance lentement au début du cycle parce qu'il y a plus d'humidité dans le linge. Le sélecteur avance plus rapidement au fur et à mesure que le linge sèche.

Maytag Performa™

Garantie de la sècheuse

GARANTIE TOTALE D'UN AN

Pendant un (1) an à partir de la date de l'achat d'origine, toute pièce qui vient à être défectueuse dans des conditions normales d'utilisation ménagère sera réparée ou remplacée gratuitement.

Cette garantie totale s'applique lorsque l'appareil se trouve aux États-Unis ou au Canada. La garantie des appareils se trouvant dans une autre partie du monde se lit comme suit : Durant la première année suivant la date de l'achat d'origine, toute pièce qui vient à être défectueuse dans des conditions normales d'utilisation ménagère sera réparée ou remplacée gratuitement en ce qui concerne la pièce elle-même, le client prenant à sa charge les autres frais, y compris les frais de main-d'œuvre, de kilométrage et de transport.

Cette garantie vous donne des droits légaux spécifiques et vous pouvez aussi jouir d'autres droits qui varient d'une province à l'autre.

POUR OBTENIR LES PRESTATIONS DE GARANTIE

Pour localiser une entreprise de service après-vente agréée Maytag dans votre région, contacter le concessionnaire MAYTAG où la machine a été achetée ou appeler Maytag Appliances Sales Company le service-clients Maytag. Si les prestations de garantie obtenues ne vous donnent pas satisfaction, contacter ce service par courrier ou par téléphone:

Maytag Appliances Sales Company
Attn: CAIR® Center
P.O. Box 2370
Cleveland, TN 37320 États-Unis **Canada 1-800-688-2002**

REMARQUE : Quand vous écrivez au sujet d'un problème non résolu, veuillez inclure les renseignements suivants :

- Vos nom, adresse et numéro de téléphone ;
- Les numéros de modèle et de série de votre machine (sur la plaque signalétique située dans le coin inférieur droit de l'ouverture de la porte) ;
- Les nom et adresse du concessionnaire ainsi que la date d'achat de l'appareil ;
- Une description claire du problème rencontré ;
- Date de la preuve d'achat (bon de caisse).

Ne sont pas couverts par ces deux garanties:

- Les problèmes et dommages résultant des situations suivantes:
 - Installation, livraison ou entretien défectueux.
 - Toute réparation, modification, altération ou ajustement non autorisé par le fabricant ou un prestataire de service après-vente agréé.
 - Usage inapproprié, abusif, déraisonnable ou accidents.
 - Alimentation électrique ou tension incorrectes.
 - Réglage inapproprié de toute commande.
- Les garanties sont annulées si les numéros de série d'origine ont été enlevés, modifiés ou ne peuvent être déterminés facilement.
- Ampoule.
- Appareils achetés à des fins commerciales ou industrielles.
- Les frais de dépannage ou de visite pour:
 - Corriger des erreurs d'installation.
 - Enseigner au consommateur comment utiliser son appareil correctement.
 - Assurer le transport de l'appareil jusqu'à l'entreprise de service après-vente.
- Dommages indirects ou accessoires supportés par toute personne à la suite d'une quelconque violation de garantie.

Certain états ne permettent pas l'exclusion ou la limitation de responsabilité en ce qui concerne les dommages indirects, et l'exclusion ci-dessus peut ne pas s'appliquer à votre cas.

Guide de l'utilisateur, manuels de dépannage et catalogues de pièces détachées sont disponibles auprès Maytag Appliances Sales Company, du service-clients Maytag.

*Pour toute assistance technique, communiquer avec Maytag Appliances Sales Company,
Service-clients Maytag : au Canada : 1-800-688-2002*

MAYTAG • 403 W. 4th Street N. • P.O. Box 39 • Newton, Iowa 50208 • États-Unis

MAYTAG ONLINE <http://www.maytag.com>



GUÍA DEL USUARIO

¡Felicitaciones por la compra de su secadora Maytag Performa™! Su satisfacción es muy importante para nosotros.

Lea este manual para obtener los mejores resultados. El manual contiene las instrucciones para operar adecuadamente la secadora y los procedimientos para su mantenimiento.

Ahorre tiempo y dinero. Si tiene algún problema, le sugerimos que primero consulte la sección "Antes de llamar". Esta sección se preparó para ayudarlo a resolver problemas básicos antes de consultar a un técnico de servicio.

Si tiene preguntas, escríbanos (incluya los números de modelo y serie de su secadora y su número de teléfono), o llame al teléfono que se indica a continuación:

Maytag Appliances Sales Company
 Attn: CAIR® Center
 P.O. Box 2370
 Cleveland, TN 37320-2370
 1-800-688-9900 EE.UU.
 1-800-688-2002 CANADÁ
 (De lunes a viernes, de las 8 a.m. a las 8 p.m. hora del Este)
 Internet: <http://www.maytag.com>

Contenido

Instrucciones de seguridad	20-21
Sugerencias de operación	22
Cuidado y limpieza	22
Los controles a simple vista.....	23-24
Sugerencias sobre el sistema	25
Parrilla de secado (algunos modelos).....	26
Antes de llamar	26
Garantía de la secadora de ropa	27

Instrucciones importantes de seguridad

⚠ ADVERTENCIA: Para reducir el riesgo de incendio, explosión, descarga eléctrica o lesiones personales al usar su secadora, siga las precauciones básicas de seguridad, entre ellas las siguientes:

⚠ ADVERTENCIA: Por su seguridad, debe seguir las instrucciones de este manual para minimizar el riesgo de incendio o explosión o para evitar daños materiales, lesiones personales o la muerte.

- **No almacene ni use gasolina u otros vapores y líquidos inflamables cerca de este o de cualquier otro electrodoméstico.**

EN CASO DE QUE PERCIBA OLOR A GAS

- **No trate de encender ningún electrodoméstico.**
- **No toque ningún interruptor eléctrico.**
- **No use ningún teléfono en el edificio.**
- **Pida a todos los ocupantes de la habitación, el edificio o el área que se alejen de ella.**
- **Llame inmediatamente a la compañía abastecedora de gas desde el teléfono de un vecino. Siga las instrucciones de la compañía.**
- **Si no puede comunicarse con la compañía de gas, llame al departamento de bomberos. La instalación y el servicio de este electrodoméstico deben llevarse a cabo por un instalador, centro de servicio calificados o por la compañía de gas.**

⚠ ADVERTENCIA

Debido a que puede haber escape de gas de su sistema que no pueda ser detectado por el olor solamente, creando una situación posiblemente extremadamente peligrosa, los proveedores de gas recomiendan que compre e instale en su hogar un detector de gas aprobado por el UL. Su proveedor de gas local puede ayudarle a obtener un detector de gas. Por favor instale, mantenga y use el detector de gas de acuerdo con las instrucciones del fabricante del detector de gas.

1. Lea detenidamente las instrucciones antes de usar la secadora. Conserve todas las instrucciones para su referencia futura.
2. Instale y ubique adecuadamente la secadora, de acuerdo con las instrucciones de instalación.
Instale o almacene la secadora en un lugar donde NO esté expuesta a la intemperie.
Conecte la secadora a un circuito eléctrico de tensión nominal, protección y capacidad adecuadas. Consulte las especificaciones eléctricas.
Pida a un técnico de servicio calificado que instale su secadora. La secadora debe estar conectada adecuadamente a tierra. Consulte las instrucciones de instalación.
Si alguna persona sufre una descarga eléctrica al usar la secadora, desconecte la secadora del suministro eléctrico. NO la opere sino hasta que un técnico de servicio calificado la repare.
3. Para evitar que los niños sufran lesiones:
No permita que los niños jueguen dentro, sobre ni con la secadora.
Cuando use la secadora supervise cuidadosamente a los niños. Cuando los niños tengan la edad adecuada, enséñeles a usar segura y correctamente la secadora.
Deseche las cajas y las bolsas de plástico después de desempacar la secadora.
Quite la puerta del compartimiento de la secadora antes de que la retire para que se le dé servicio o para desecharla.
4. NO altere los controles de operación.
5. No toque el interior de la secadora cuando el tambor se esté moviendo. Si el tambor de la secadora no se detiene cuando abre la puerta, desconéctela del suministro eléctrico. No opere la secadora sino hasta que un técnico calificado la repare.
6. Para evitar lesiones personales y daños a la secadora, no repare ni reemplace ninguna pieza de la secadora ni intente darle servicio. Solamente un técnico de servicio calificado puede dar servicio a su secadora.
7. Mantenga a sus mascotas alejadas de la secadora, y manténgala cerrada siempre, excepto cuando la carga y la descarga. Las mascotas pueden entrar a la secadora cuando la puerta está abierta y quedar atrapadas cuando la puerta se cierra, sin que usted lo advierta.
8. En la fábrica se hace una lubricación que dura toda la vida útil de la secadora, de manera que usted nunca necesitará aceitarla ni engrasarla.
9. NO use suavizadores de tela ni productos para eliminar estática (a menos que el fabricante de estos productos recomiende su uso en secadoras de ropa).
10. NO seque artículos de fibra de vidrio a menos que el fabricante lo recomiende.

CONSERVE ESTAS INSTRUCCIONES

Instrucciones importantes de seguridad (cont.)

⚠ ADVERTENCIA ! PELIGRO DE INCENDIO

Seque solamente artículos que haya lavado con agua. Los artículos limpiados, lavados, sumergidos o manchados con gasolina, solventes de limpieza en seco, aceite, ceras, solventes químicos, alcohol, trementina u otros materiales inflamables o explosivos retendrán estas sustancias. No seque artículos que aún contengan estas sustancias inflamables o explosivas ya que desprenden vapores que se pueden inflamar o explotar.

No use calor para secar artículos que contengan caucho de espuma, plásticos o materiales con textura similar al caucho.

Mantenga el área alrededor y debajo de la secadora libre de materiales combustibles tales como pelusa, papel, trapos, gasolina y otros vapores y líquidos inflamables.

No almacene ningún material de manera que obstruya las aberturas de ventilación de la secadora.

Para evitar un tiempo de secado prolongado y el riesgo de incendio, limpie la malla de pelusa después de cada carga.

Un técnico de servicio calificado debe limpiar periódicamente el interior de la máquina y el conducto de descarga.

Se debe examinar periódicamente el sistema de descarga para verificar que el conducto de descarga no esté dañado y que el deflector funcione libremente. Mantenga el área circundante a la abertura de descarga libre de pelusa, polvo y suciedad.

En estudios recientes se ha demostrado que si los materiales contaminados con aceite vegetal se lavan inadecuadamente, la acumulación del aceite puede contribuir a que ocurra una reacción química (combustión espontánea) que podría causar la inflamación repentina de una carga de ropa. Esto puede suceder con más probabilidad cuando se deja la carga de ropa en la lavadora después de que termina el ciclo de secado o cuando las prendas se doblan y apilan mientras están calientes.

Secadoras alimentadas con gas

Las secadoras alimentadas con gas están equipadas para usar solamente gas natural. Si se desea modificar una secadora para que use otro tipo de gas, debe solicitar los servicios de un técnico calificado.

Aviso y advertencia de seguridad importantes

La Ley sobre Sustancias Tóxicas y Agua Potable Segura de California, de 1986 (Proposición 65), estipula que el gobernador de California debe publicar una lista de sustancias que el Estado de California sabe que pueden causar cáncer o daños en el sistema reproductor, y requiere que las empresas adviertan a sus consumidores sobre las exposiciones potenciales a tales sustancias.

Los usuarios de este dispositivo quedan advertidos por medio de este documento que la combustión de gas puede dar como resultado una exposición a bajo nivel de algunas de las sustancias listadas, entre ellas benceno, formaldehído y negro de humo (hollín), debido principalmente a la combustión incompleta del gas natural o petróleo líquido (LP). Los conductos de descarga deben mantenerse libres de obstrucciones, y una secadora con un sistema de descarga adecuadamente instalado minimizará la exposición a estas sustancias.

IMPORTANTE: Debido a la mejora continua de sus productos, Maytag se reserva el derecho de cambiar las especificaciones sin previo aviso. Si desea ver los detalles completos, consulte las instrucciones de instalación que vienen con su producto antes de seleccionar el tipo de ebanistería, marcar las aberturas o comenzar la instalación.

Ahora debe conocer las instrucciones de seguridad

Las advertencias y las instrucciones importantes de seguridad que aparecen en este manual no tienen el propósito de cubrir todas las condiciones posibles que podrían ocurrir. Debe usarse sentido común, precaución y cuidado cuando se instale, se presente mantenimiento o se opere el electrodoméstico.

Siempre comuníquese con el distribuidor, concesionario, agente de servicio o fabricante para los asuntos relacionados con problemas o condiciones que no entienda.

Reconozca los símbolos de seguridad, advertencias, etiquetas

⚠ ADVERTENCIA

ADVERTENCIA – Peligros o prácticas no seguras que **PODRÍAN** causar lesión personal grave o mortal.

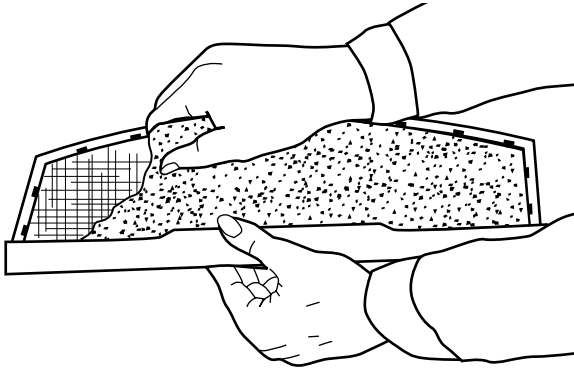
⚠ PRECAUCIÓN

PRECAUCIÓN – Peligros o prácticas no seguras que **PODRÍAN** causar lesión personal menos grave.

Sugerencias de operación

Limpie el filtro para pelusa

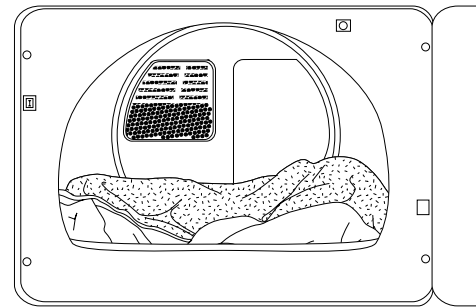
- Después de cada carga.
- Para reducir el tiempo de secado.
- Para que la secadora funcione con un consumo más eficiente de energía.



Nota: No opere la secadora sin el filtro para pelusa.

Cargue adecuadamente la secadora

- Coloque en la secadora una carga a la vez.
- Las cargas mezcladas de ropa pesada y ropa ligera se secarán de manera diferente. La ropa ligera se secará, mientras que la ropa pesada puede quedar húmeda.
- Cuando necesite secar sólo una o dos prendas, añada uno o más artículos similares. De esta manera aumentará el movimiento de la ropa y la eficiencia de secado.
- Las cargas excesivas restringen el movimiento de la ropa dando como resultado un secado irregular y el arrugado excesivo de algunas telas.



Cuidado y limpieza

Panel de control

Limpie el panel con un paño suave y húmedo. No use sustancias abrasivas.

Tambor

Quite todas las manchas, (de lápices de cera, tinta o colorante de telas) con jabón y agua. Luego seque toallas o trapos viejos limpios para remover las manchas que hayan quedado.

Gabinete

Borre las marcas con jabón y agua. Si lo desea, utilice cera para electrodomésticos una vez al año.

Sistema de descarga de la secadora

Inspeccione y limpie una vez al año el sistema de descarga para mantener un rendimiento óptimo. La campana exterior de descarga debe limpiarse con más frecuencia para asegurar una operación adecuada. (Si desea más información consulte las instrucciones de instalación.)

Reemplazo del foco del tambor (algunos modelos)

1) Desenchufe o desconecte la secadora del suministro eléctrico.

- 2) Levante la parte superior de la secadora insertando un cuchillo de masilla debajo de la parte superior, a 4" (10 cm) de cada lado.
- 3) Gire el portafoco hasta que quede en posición vertical antes de quitar el foco.
- 4) Empuje el foco hacia abajo y gírelo hacia la izquierda para quitarlo.
- 5) Coloque un foco nuevo de 25 watts, de 115/125 voltios con conector de fijación, número de pieza 53-0570 o uno equivalente. Coloque el foco en el receptáculo, empújelo hacia adentro y gírelo hacia la derecha.
- 6) Gire el portabulbos hasta colocarlo en posición horizontal.
- 7) Vuelva a colocar la parte superior de la lavadora en su posición original. Asegúrese de que las lengüetas metálicas fijen la parte superior de la lavadora en su posición.
- 8) Vuelva a conectar la secadora en el suministro eléctrico.

Los controles a simple vista

Paso 1

Seleccione la temperatura

Para seleccionar la temperatura correcta, coloque el control de temperatura en una de las siguientes cuatro opciones: regular, media (algunos modelos), baja o esponjado con aire.

TEMPS. DE LA SECADORA

TIPO DE CARGA

TEMPS. DE LA SECADORA	TIPO DE CARGA
Regular	Telas de algodón resistentes o ropa con etiqueta "Tumble Dry" (Secado regular).
Medium Media (Algunos modelos)	Para telas sintéticas inarrugables o de planchado permanente, y telas de algodón ligeras con la etiqueta "Tumble Dry Medium" (Secado mediano).
Low Baja	Para telas sensibles al calor con la etiqueta "Tumble Dry Low" (Secado bajo) o "Tumble Dry Medium" (Secado mediano).
Air Fluff Esponjado con aire	Ropa que necesita renovación. La carga se seca con aire a temperatura ambiente.

Paso 2

Seleccione las opciones

Extended Wrinkle Out (Desarrugado extendido)

(opcional en algunos modelos) La opción de Wrinkle Out (Desarrugado) se ofrece para minimizar las arrugas en el ciclo de secado automático de telas inarrugables. Esta característica permite el secado adicional sin calor durante 30 a 60 minutos adicionales al final del ciclo, dependiendo del modelo. La ropa se puede sacar en cualquier momento durante esta porción del ciclo.

En los modelos de secadoras con la característica opcional **DESARRUGADO EXTENDIDO**, los 60 minutos de secado sin calor se pueden cancelar girando la perilla selectora hasta OFF (APAGADO).

End of Cycle Signal (Señal de fin de ciclo)

Cuando termina el ciclo, se escuchará una señal varias veces. En algunos modelos, el volumen de la señal de final de ciclo se puede ajustar. Para ajustar el volumen, seleccione cualquier ajuste entre Off (Apagado) y Loud (Alto).

Saque inmediatamente la carga para reducir el arrugado de la ropa.



Paso 3

Seleccione el ciclo

Para seleccionar un ciclo, gire hacia la derecha el disco de control hasta el ajuste deseado. Cuando use un ciclo de secado automático, el disco de control debe apuntar entre "More Dry" (Más seco) y "Less Dry" (Menos seco) para la mayoría de las cargas.

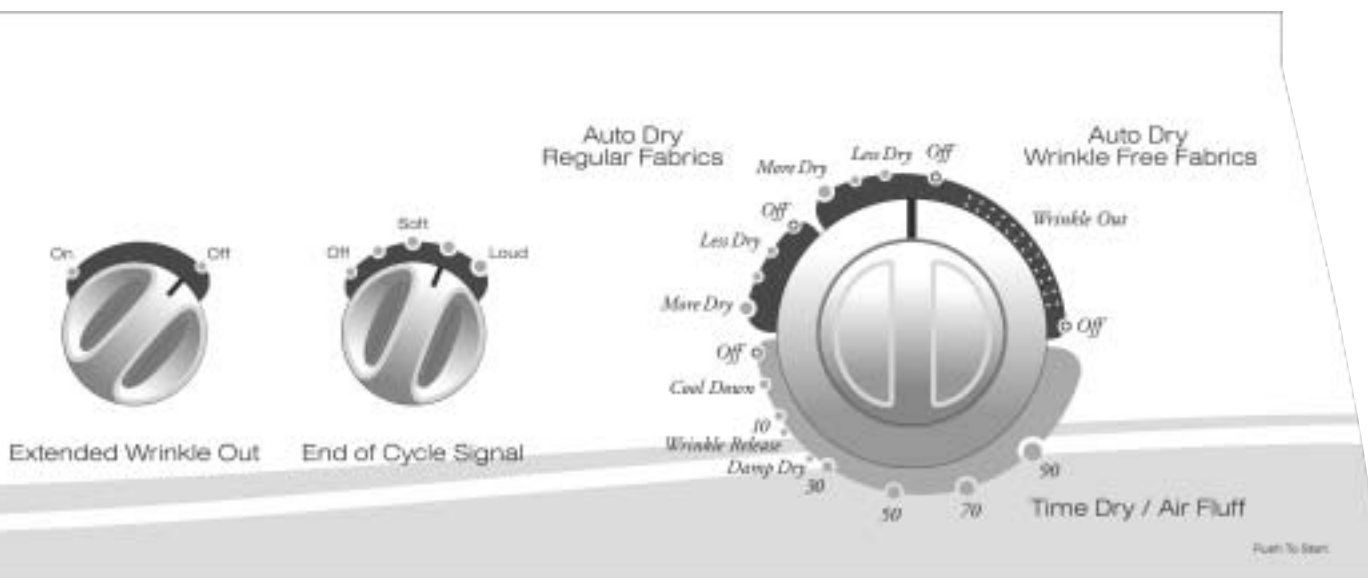
Es posible que las cargas de mayor tamaño o más voluminosas requieran el ajuste "More Dry" para secar completamente la carga. El ajuste "Less Dry" es mejor para las telas ligeras o para dejar humedad en la ropa al final del ciclo.

Auto Dry Regular Fabrics (Secado automático regular)

El ciclo de secado automático regular está diseñado para secar la mayoría de telas de algodón y de lino. Al final del ciclo, las telas se enfrían durante aproximadamente 10 minutos para reducir el arrugado.

Auto Dry Wrinkle Free Fabrics (Secado automático de telas sin arrugas)

El ciclo de secado automático de telas sin arrugas está diseñado para secar automáticamente telas de algodón, telas sintéticas, de tejido doble y de planchado permanente, sin arrugas. Al final del ciclo, la ropa se enfría durante aproxi-



Los ciclos y las opciones pueden variar dependiendo del modelo.

madamente 20 minutos para reducir el arrugado. Si la ropa no se saca de la lavadora, el ciclo avanzará a **Wrinkle Free (Desarrugado)** que proporciona tiempo adicional de secado sin calor. La característica de **Wrinkle Out (Desarrugado)** es opcional en algunos modelos. (Vea el paso 2).

Time Dry/Air Fluff (Tiempo de secado/esponjado con aire)

Este ciclo se puede usar para regular el tiempo de secado. Úselo con los ajustes de temperatura esponjado con aire, baja, media (en algunos modelos) o regular. Para el secado por un tiempo determinado, gire hacia la derecha el disco de control hasta que el indicador apunte al ajuste de tiempo adecuado en el ciclo de tiempo de secado/esponjado con aire.

Nota: Cuando se usa el ajuste de temperatura de esponjado con aire el tiempo de secado será mayor.

Opciones especiales

La opción **Damp Dry (Secado húmedo)** se encuentra en la sección de Tiempo de secado/esponjado con aire del disco de control. Esta opción está diseñada para secar parcialmente la ropa, y se puede usar con cualquier selección de temperatura. La opción **Damp Dry (Secado húmedo)** proporcionará 20 minutos de secado, seguidos por cinco minutos de secado con enfriamiento.

La opción **Wrinkle Release (Eliminación de arrugas)** eliminará las arrugas de la ropa limpia y seca que está ligeramente arrugada, como por ejemplo ropa que estaba apilada en un armario o en una maleta o que se quedó en la secadora un período de tiempo prolongado después de la conclusión del ciclo. La opción **Wrinkle Release (Eliminación de arrugas)** proporciona 10 minutos de secado seguidos por cinco minutos de secado con enfriamiento y se puede usar con cualquier selección de temperatura.

Step 4

Presione el disco de control para

Presione el disco de control para iniciar el funcionamiento de la secadora. La puerta de la secadora debe estar cerrada para que la secadora funcione.

Nota: Puede girarse el disco en cualquiera de las dos direcciones para seleccionar un ciclo. Una vez iniciado, el disco no avanzará a una velocidad específica durante los ciclos de « Auto Dry » (secado automático). Al principio el disco no avanzará nada. Hacia el final del ciclo (cuando la carga comienza a secarse) el disco avanzará a una velocidad más regular y mucho más rápidamente. Esta operación es normal.

Sugerencias sobre el sistema de descarga de la lavadora

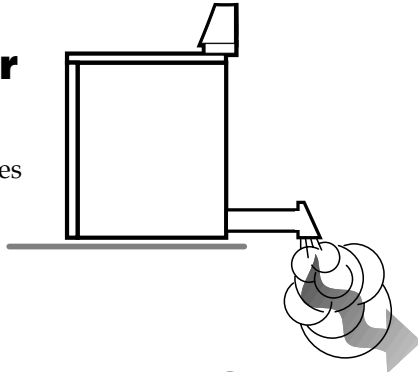
⚠️ ADVERTENCIA: Los conductos flexibles de plástico o no metálicos presentan el riesgo de incendio.

Qué hacer

Read the installation instructions and the user's guide.

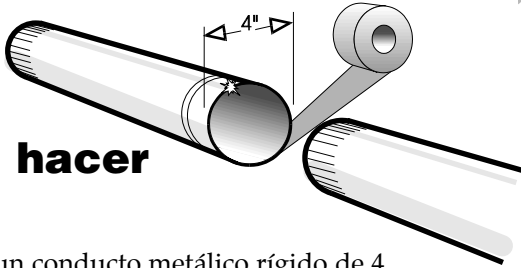
Qué hacer

Lea las instrucciones de instalación y la guía del usuario.



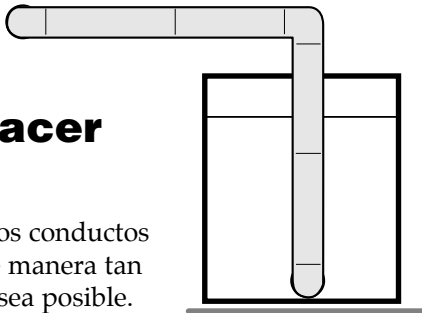
Qué hacer

Utilice un conducto metálico rígido de 4 pulgadas (10 cm) de diámetro. Asegure con cinta todas las conexiones. Nunca utilice tornillos para atrapar pelusa.



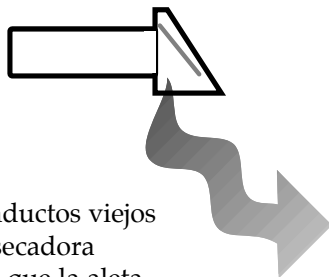
Qué hacer

Mantenga los conductos tendidos de manera tan recta como sea posible.



Qué hacer

Limpie todos los conductos viejos antes de instalar su secadora nueva. Asegúrese de que la aleta de ventilación abra y cierre libremente.

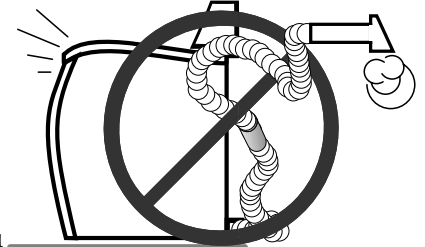


Qué no hacer

No permita que un sistema de descarga inadecuado aumente el tiempo de secado.

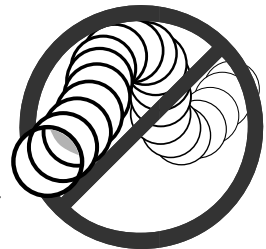
Qué no hacer

No limite el rendimiento de su secadora con un sistema de descarga inadecuado.



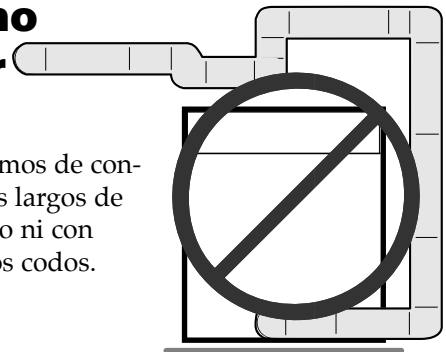
Qué no hacer

No use conductos flexibles de plástico, aluminio ni no metálicos.



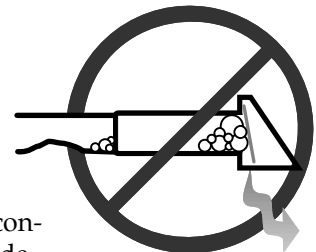
Qué no hacer

No use tramos de conductos más largos de lo necesario ni con demasiados codos.



Qué no hacer

No permita que los conductos y la abertura de ventilación estén aplastados ni obstruidos.



Parrilla de Secado (algunos modelos)

Para botas, zapatos deportivos, suéteres delicados, colchas, medias de nilón y cualquier otro artículo que pueda dañarse al dar vueltas, use la parrilla de secado desprendible.

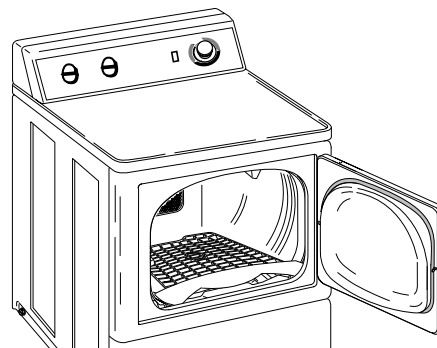
Para usar la parrilla:

- 1) Acomode las patas en L contra el inserto redondo en la parte posterior de la secadora.
- 2) Apoye las dos patas delanteras en cualquiera de los lados de la pantalla de pelusa.
- 3) Verifique que la parrilla esté asegurada en su sitio.
- 4) Coloque los artículos que van a secarse encima de la parrilla. Deje espacio para que circule el aire. Los artículos no deben quedar colgando por los bordes entre los soportes ni tocar ninguna otra parte de la secadora. **NOTA:** La parrilla no se mueve, pero el tambor da vueltas alrededor de la parrilla.
- 5) Cierre la puerta de la secadora.
- 6) Use el ciclo TIMED DRY (secado por tiempo medido). Seleccione la temperatura alta, baja, sólo aire dependiendo del artículo.

7) Podría ser que algunos artículos necesiten girarse de atrás para adelante o volverse a doblar para secar los dobleces interiores; revise periódicamente.

8) Para quitar la parrilla, sencillamente sujete los lados con las manos y levántelo para sacarlo.

Nota : No coloque las manos en la secadora cuando el tambor esté dando vueltas.



Antes de llamar

Revise lo siguiente si su secadora de ropa...

No funciona

- Asegúrese de que la secadora tenga la puerta cerrada.
- ¿Está enchufado el cable eléctrico?
- ¿Hay un fusible fundido o un disyuntor disparado?
- Presione otra vez el disco de control si abrió la puerta durante un ciclo.

No calienta

- ¿Hay un fusible fundido o un disyuntor disparado?
- Seleccione un ajuste de calor, no el ajuste de esponjado con aire.
- Verifique que el suministro de gas sea adecuado para secadoras alimentadas con gas.

No seca adecuadamente

- Revise todo lo anterior, y además...
- Revise la campana de descarga en el exterior de la casa, ¿abre y cierra libremente?
- Limpie el filtro para pelusa y el conducto de descarga.
- Utilice un conducto de descarga metálico rígido de 4" (10 cm).
- No sobrecargue la secadora. 1 carga de lavado = 1 carga de secado.
- Separe las prendas pesadas de las ligeras.
- Revise que la lavadora esté drenando adecuadamente para extraer el agua de la carga.
- La carga de ropa es muy pequeña y no hay un movimiento adecuado, añada unas cuantas toallas.

Produce mucho ruido

- Revise que en la carga no haya objetos tales como monedas, clavos, etc. Si los hay sáquelos inmediatamente de la secadora.
- La secadora debe estar nivelada e instalada sobre un piso sólido.

La Perilla de Control Avanza con Lentitud

- Este funcionamiento es normal para un ciclo Auto Dry (secado automático), especialmente al principio del ciclo. Una vez que la carga comienza a secarse, la perilla de control comenzará a avanzar. La velocidad de avance será baja al principio del ciclo porque hay más humedad en la carga. Al secarse más la carga, la perilla de control avanzará más rápidamente.

Maytag Performa™

Garantía de la secadora de ropa

GARANTÍA TOTAL DE UN AÑO

Cualquier pieza que falle en el uso doméstico normal de la unidad durante el primer año después de la fecha de su compra original al menudeo, será reparada o reemplazada gratuitamente.

Esta garantía total aplica cuando el electrodoméstico se encuentre en Estados Unidos o en Canadá. Los electrodomésticos que se encuentren en otro lugar están garantizados de la siguiente manera: Durante un año después de la fecha de compra original al menudeo, cualquier pieza que falle en el uso doméstico normal de la unidad serán reparada o reemplazadas gratuitamente, y el propietario deberá pagar todos los demás cargos, inclusive mano de obra, millaje y transportación.

Esta garantía le otorga derechos legales específicos, y usted puede tener otros derechos que varían entre estados.

PARA OBTENER EL SERVICIO DE GARANTÍA

Para ubicar un centro de servicio autorizado en su área, comuníquese con el distribuidor Maytag con el cual compró el electrodoméstico; o llame al Departamento de Asistencia al Cliente de Maytag Appliances Sales Company. Si no recibe un servicio de garantía satisfactorio, por favor llame o escriba a:

Maytag Appliances Sales Company
Attn: CAIR® Center
P.O. Box 2370
Cleveland, TN 37320-2370
U.S. 1-800-688-9900

Canada 1-800-688-2002

Cuando se comunique con el Departamento de Asistencia al Cliente de Maytag Appliances Sales Company con relación a un problema de servicio, por favor incluya la siguiente información:

- Su nombre, dirección y número de teléfono;
- El número de modelo y el número de serie (se encuentran en la parte frontal de la abertura de la puerta) desu electrodoméstico;
- El nombre y la dirección de su distribuidor y la fecha de compra del electrodoméstico;
- Una descripción clara del problema que experimenta;
- Un comprobante de compra.

Esta garantía no cubre lo siguiente:

- Condiciones y daños resultantes de cualquiera de las siguientes condiciones:
 - Instalación, entrega o mantenimiento inadecuados.
 - Cualquier reparación, modificación, alteración o ajuste no autorizado por el fabricante o por un técnico de servicio autorizado.
 - Uso inadecuado, abuso, accidentes o uso irrazonable.
 - Corriente, voltaje o suministro eléctrico incorrecto.
 - Ajuste incorrecto de uno de los controles.
- La garantía se anulará si el número de serie original se quita, altera o no se puede determinar fácilmente.
- Focos.
- Productos comprados para uso comercial o industrial.
- El costo del servicio o de las llamadas de servicio para:
 - Corregir errores de instalación.
 - Instruir al usuario sobre el uso correcto del producto.
 - Transportar el electrodoméstico al centro de servicio.
- Daños resultantes o incidentales sufridos por cualquier persona como resultado de la violación de esta garantía.

Algunos estados no permiten la exclusión ni la limitación de daños resultantes ni incidentales, de manera que es posible que no aplique la exclusión anterior.

Las guías del usuario, los manuales de servicio y los catálogos de piezas están disponibles en el Departamento de Asistencia al Cliente de Maytag Appliances Sales Company.

Si desea recibir más asistencia comuníquese con Maytag Appliances Sales Company, Departamento de Asistencia al Cliente de Maytag:

1-800-688-9900 en EE.UU.; o 1-800-688-2002 en Canadá

MAYTAG • 403 W. 4th Street N. • P.O. Box 39 • Newton, Iowa 50208